



FACE DRILL RIG WD581

Mining one-boom face drill rig for medium sized underground drifts, with maximum coverage area 35m².

With quality as the foundation and innovation as the driving force, Uniroc creates greater value for you.

unirocgroup.com
tunnel@unirocgroup.com



Reliable and Durable Rig



🔄 Main features:

1# Easy:

Adopting electro-proportional hydraulic control makes drilling and positioning more convenient, flexible and precise.

2# Automatic:

With automatic drilling, automatic retraction, automatic anti-jamming, automatic stopping impact and other functions.

3# Digital:

Digitally record the number of holes drilled, drilling depth and other data, real-time supervision and evaluation of the construction situation.

4# Safety:

Equipped with self-diagnosis and safety voice alarm system, real-time monitoring and fault detection.

Face Drill Rig WD581

A Partner Worthy Of Your Trust

Uniroc U1838ME Rock Drill



Our self-developed rock drill U1838ME is specially equipped with a secondary buffer system, which greatly extends the service life of the hydraulic rock drill. It is also equipped with advanced frequency conversion system at all levels, which enables it to flexibly cope with a wide range of different levels of surrounding rock conditions, completely solving the limitation of traditional rock drills that are difficult to be used for multiple purposes.

Operator Station



Excellent visibility, logical operating layout, and high illumination LED working lights & tramming lights ensure improved productivity and safe operation.

Drilling System



Adopting high efficient and fast electro-proportional hydraulic control drilling system, including automatic drilling, automatic retraction, automatic release of jamming brazier and other functions.

Professional service offering

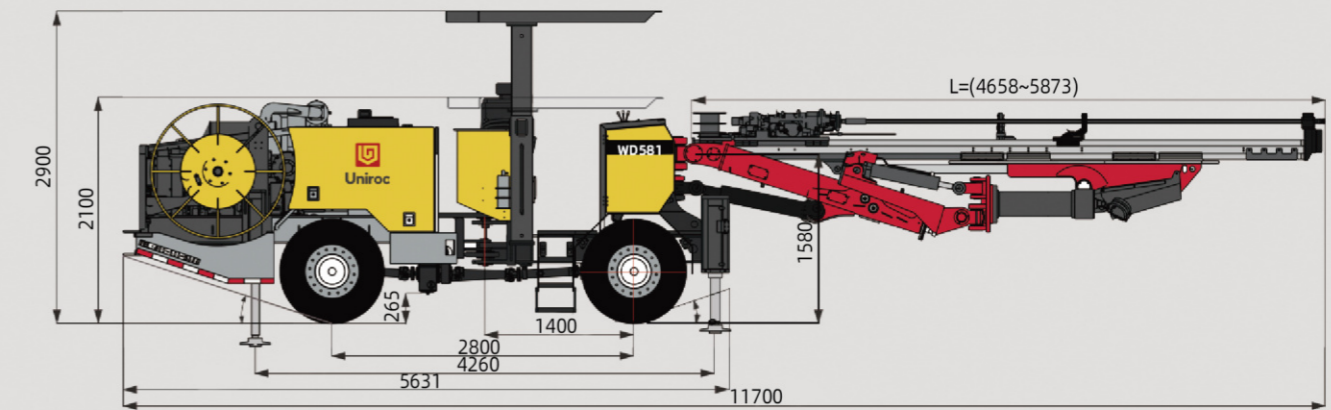


Uniroc's service solutions ensure that your equipment performs at its best throughout its life cycle.

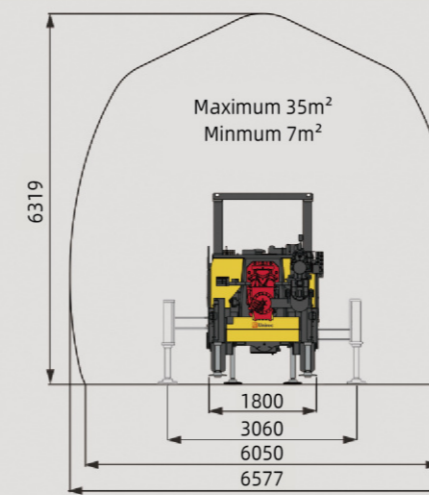
By combining genuine parts and Uniroc services from our certified technicians, we provide the highest quality technical support to ensure that your equipment continues to run efficiently and safely.

Measurements

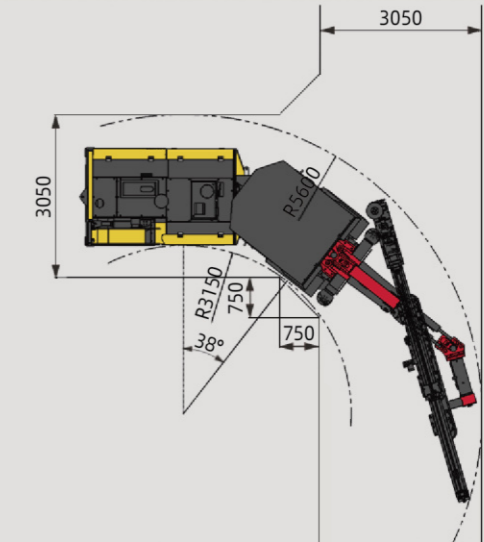
Side View



Coverage Area



Turning Radius



| Dimensions | | |
|--|---|-----------|
| mm | Width | 1800 |
| | Height roof up/down | 2100/2900 |
| | Length with BMH A feed | 11700 |
| | Ground clearance | 265 |
| Weight | | |
| Gross weight, depending on configuration | | |
| kg | Total | 13600 |
| | Boom side | 6300 |
| | Engine side | 7300 |
| Tramming speed | | |
| km/h | On flat ground(rolling resistance 0.05) | >10 |

Face Drill Rig WD581

Technical Specifications

| Rock drill | |
|--------------------------|-------------------|
| Shank adapter | T38 |
| Height over drill centre | 88mm |
| Length without shank | 1008mm |
| Impact power | 18kW |
| Impact rate | 60Hz |
| Rotation system | Separate rotation |
| Rotation speed, max | 215rpm |
| Rotation torque, max | 1000Nm |
| Lub.air consump.at 2 bar | 5L/s |
| Water consumption | 40-120L/min |
| Sound level | <128dB(A) |

| Electrical system | |
|---|-------------------|
| Total installed power | 65kW |
| Main motor | 1x55kW |
| Voltage | 380-660V |
| Frequency | 56Hz |
| Starting method | star/delta |
| Transformer | 0.3kVA(660V/6kVA) |
| Cables reel | 660/1095mm |
| Thermal overload protection for electric motors | |
| Percussion hour meters | |
| Digital voltmeter/amperage meter in display | |
| Phase sequence indicator | |
| Battery charger | |

| Carrier | |
|--|---------------------------------|
| Power rating at 2200 rpm | 66kW (90 hp) |
| Torque at 2200 rpm | 360Nm |
| Articulated steering | 38° steering angle |
| Rear axle | ±7° oscillation |
| Tyres | 8.25-20 |
| Hydraulic jacks, front | 2 extendable |
| Hydraulic jacks, rear | 2 |
| Service brakes | 2 separate circuits |
| Emergency and parking brakes | Spring brake |
| Fuel tank, volume | 85L |
| Electric system | 24V |
| Batteries | 2x12V, 120Ah |
| Driving lights | LED 2x100W & 2x30W 24V DC |
| Working lights | LED 6x30W, 24V DC |
| Gradeability at max load on drive wheels | 15° |
| Water-cooled diesel engine, Chinese Stage IV | |
| Fixed seat for tramming | |
| Four-wheel drive | |
| Hydrostatic transmission | |
| Automatic differential | |
| Silencer | |
| Fire extinguisher | |
| Spirit level | |
| Horn, beacon and reverse alarm | |

| Boom | |
|----------------------|-----------|
| Feed extension | 1500 mm |
| Boom extension | 1250 mm |
| Parallel holding | complete |
| Feed roll-over | 360° |
| Lifting angle | +65°/-30° |
| Boom swing angle L/R | ±35° |
| Weight, Boom only | 1750 kg |

| Hydraulic system | |
|--------------------------------|--------|
| Hydraulic pumps | 1 unit |
| System pressure, max | 230bar |
| Hydraulic oil tank, volume max | 240L |
| Filtration | 10um |
| Pumps unloaded at start | |
| Oil filter indicator | |
| Low oil level indicator | |
| Water cooled oil | |
| Mineral hydraulic oil | |

| Water system | |
|--|-------|
| Water booster pump working capacity, L/min | 25-80 |
| Water booster pump working pressure, bar | 8-12 |
| Min. water intet pressure, bar | 2 |
| Water flow guard | |

| Air system | |
|------------------------|---------|
| Capacity max. at 7 bar | 6.8 L/s |
| Air pressure gauge | |

| Control system | |
|---|--|
| Electro-proportional hydraulic control system | |
| Basic functions such as anti-jamming included | |

| Feed | | | |
|---------------------|------------------|------------------|------------------|
| | Model A Standard | Model B Optional | Model C Optional |
| Total length | 5873mm | 5262mm | 4658mm |
| Drill rod length | 4305mm | 3700mm | 3090mm |
| Hole depth | 4000mm | 3400mm | 2800mm |
| Weight, incl. drill | 640kg | 610kg | 570kg |
| Feed force | 7-15kN | 7-15kN | 7-15kN |

Optional equipment

| Drifter rods | | |
|--------------|----------------------|--------------------|
| Dimension | | Min. hole diameter |
| mm | R32-H35-R38 | 45 |
| | R32-H35-T38 | 45 |
| | R32-H35-T38 Speedrod | 45 |
| | R32-D39-T38 | 45 |
| | R32-D39-T38 Speedrod | 45 |

| Couplings | | | |
|-----------|-----|----------|--------|
| Thread | | Diameter | Length |
| mm | R38 | 55 | 170 |
| | T38 | 58 | 190 |

| Rock drill | |
|-----------------------|--|
| Big hole drilling kit | |

| Feed | |
|-----------------|--|
| Telescopic feed | |

| Shank | | | |
|-------|------------|-----------------|-------------------|
| mm | Shank type | Length of shank | Diameter of shank |
| | R32 | 435 | 38 |
| | R32 | 525 | 38 |
| | R32 | 435 | 38 |
| | HM38 | 525 | 38 |
| | T38 | 435 | 38 |
| | T38 | 435 | 38 |

Face Drill Rig WD581