



# FACE DRILL RIG WD582

Two-boom face drill rig for medium sized underground drifts, with maximum coverage area 45m<sup>2</sup>

With quality as the foundation and innovation as the driving force, Uniroc creates greater value for you.

 [unirocgroup.com](https://unirocgroup.com)

 [tunnel@unirocgroup.com](mailto:tunnel@unirocgroup.com)



Youtube



Facebook

# The Two-boom Rig

## 🔄 Main features:

- 1# Double-layer feed configuration, adapting to the flexible matching of different lengths of drilling rods, and other specifications of propelling beams can be optionally matched to simultaneously meet the operation of medium-sized cross-section boring holes and anchor holes within 45m<sup>2</sup>.
- 2# Articulated chassis, compact body design and superior turning performance, more flexible turnaround.
- 3# Intelligent man-machine interactive interface, flexible ratio configuration of rock drilling parameters, maximizing drilling efficiency.
- 4# The cab complies with FOPS/ROPS certification, and the engine fire extinguishing system is configured to provide full escort for safe operation.
- 5# All aspects of the rock drill and drilling tool protection procedures, stable drilling control system, equipment function is more powerful.



# Face Drill Rig WD582

# A Partner Worthy Of Your Trust

## # Uniroc U1838ME Rock Drill



Our self-developed rock drill U1838ME is specially equipped with a secondary buffer system, which greatly extends the service life of the hydraulic rock drill. It is also equipped with advanced frequency conversion system at all levels, which enables it to flexibly cope with a wide range of different levels of surrounding rock conditions, completely solving the limitation of traditional rock drills that are difficult to be used for multiple purposes.

## # Double Layered feed



Standard double-layer feed configuration, adaptable to flexible matching of drill rods with different lengths ranging from 2500mm to 4305mm. Other specifications of feed can be optionally configured to flexibly meet the requirements of section excavation, while also meeting the needs of medium-sized section excavation hole operations and anchor hole construction.

## # Operating System



Flexible proportional configuration of rock drilling parameters, setting up a "multi-level automatic matching system for rock drilling parameters" to achieve accurate matching of various surrounding rocks and maximize drilling efficiency; Integrated electrical handle control, one click automatic rock drilling with rock drilling handle.

# Professional service offering

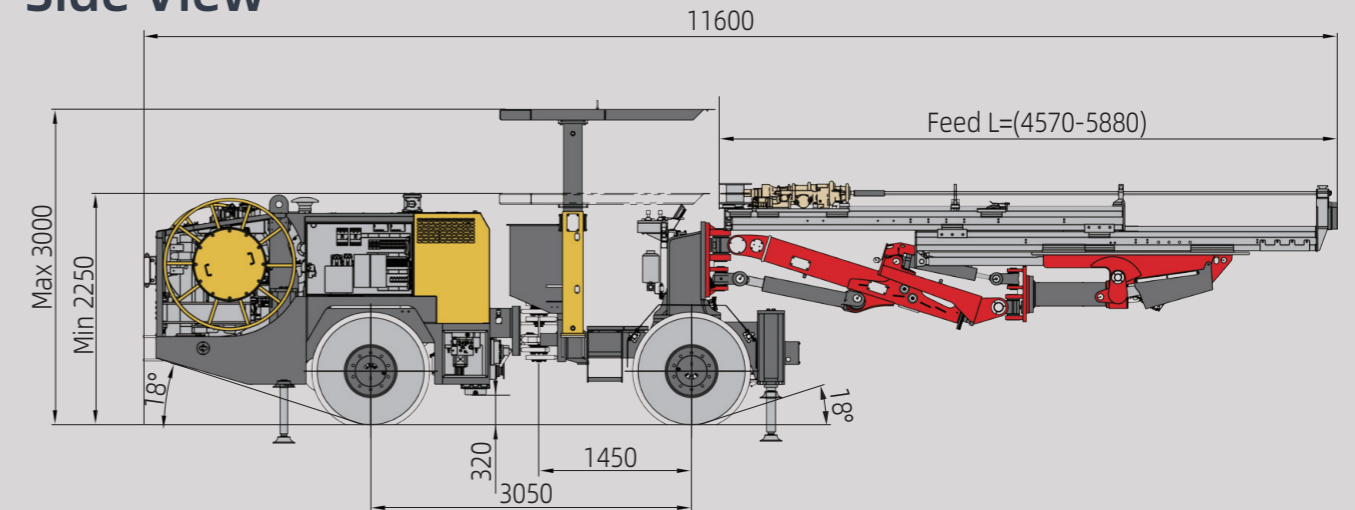


Uniroc's service solutions ensure that your equipment performs at its best throughout its life cycle.

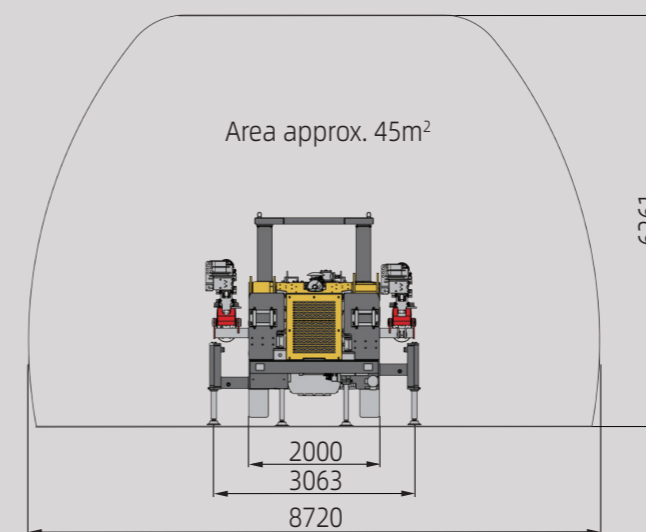
By combining genuine parts and Uniroc services from our certified technicians, we provide the highest quality technical support to ensure that your equipment continues to run efficiently and safely.

# Measurements

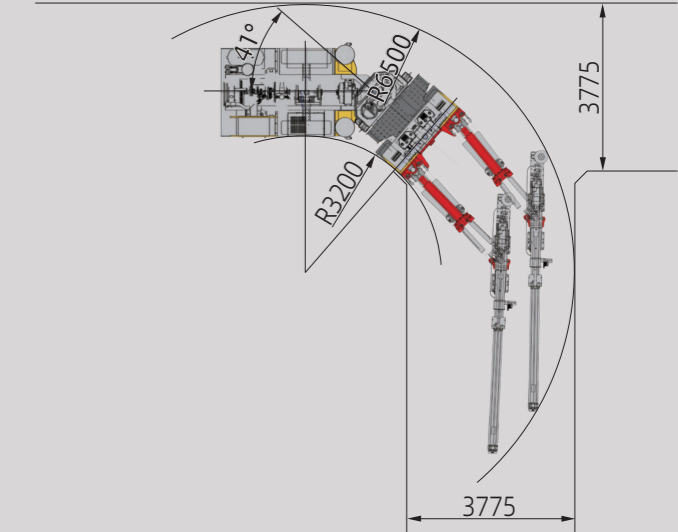
## Side View



## Coverage Area



## Turning Radius



Dimensions		
mm	Width	2000
	Height roof up/down	3000/2250
	Length	11600
	Ground clearance	320
Walking speed		
km/h	Level ground	12
Weight		
kg	Total weight	21000
Turning radius		
mm	Outer/Inner Diameter	6500/3200

# Face Drill Rig WD582

# Technical Specifications

## Rock drill

Uniroc U1838ME	
Shank adapter	T38
Length without shank	1006mm
Impact power	18kW
Impact rate	60Hz
Hydraulic pressure	210Bar
Rotation system	Separate rotation
Rotation speed	0-215rpm
Rotation torque, max	1000Nm
Lub. air consump. at 2 Bar	5L/s
Water consumption	40-120L/min
Weight	175kg
Sound level	≤125dB(A)

## Feed

Feed	Double telescopic
Overall length (max/min)	4010 /5840mm
Drill rod length	2500 /4305mm
Hole depth	2195 /4000mm
Weight, incl. Drill	640kg
Feed force (at operation)	7kN-15kN
Feed force	20kN

## Boom

Boom extension	1250mm
Feed extension	1500mm
Boom swing angle	±45°
Boom swing angle	-30°/+65°
Feed roll-over	360°
Weight, boom only	1439kg
Feed angle automatically maintained	

## Hydraulic system

Hydraulic pumps	2 units
System pressure max.	230Bar
Hydraulic oil tank volume max.	345L
Filtration	10µm
Oil filter indicator	
Water cooled oil	
Mineral hydraulic oil	

## Control system

Electro-proportional hydraulic control system
Basic functions such as anti-jamming included

## Electrical system

Total installed power	130kW
Main motors	2×55kW
Voltage	380/660V
Starting method	Star/Soft star
Cable reels (I.D./O.D.)	700mm/1260mm
Transformer	0.3/4kVA
Cable reel, length	3×95, 80m
Thermal overload protection for electric motors	
Percussion hour meter	
Digital voltmeter/amperage meter in electric cabinet	
Phase sequence indicator	
Earth fault indicator	
Battery charger	

## Carrier

Power rating at 2200 rpm	96kW
Torque at 1300 rpm	500Nm
Articulated steering	±41° steering angle
Transmission	BD4208
Front axle	DR50
Rear axle	DR50
Rear axle swing angle	7°
Service brakes	2 separate circuits
Emergency and parking brakes	SAHR
Tyres	12.00×R20
Approach angle	18°
Departure eng	18°
Fuel tank. Volume	85L
Electric system	2×12 V
Batteries	2×120Ah
Tramming lights	6×30W
Working lights	2×100W & 2×30W
Fire Extinguisher	2 units
Gradeability at max. Load on drive wheels	15°
Four-wheel drive	
Automatic differential lock on rear axle	
Horn, beacon and reverse alarm	

## Air system

Air compressor power	7.5kW
Operating pressure max.	8Bar
Operating flow rate	1080L/min

## Water system

Water pump power	7.5kW
Operating pressure	10~25Bar
Operating flow rate	200L/min
Min water inlet pressure	2Bar

## Optional equipment

### Drifter rods

Dimension		Min. Hole diameter
mm	T38-H35-R32	38
	R38-H32-R32	38
	R38-H35-R32	48

### Shank adapters

Dimension		Diameter	Length
mm	R38	38	435
	T38	38	435
	T38*	48	525

### Couplings

Dimension		Diameter	Length
mm	R38	55	170
	T38	55	170

### Rock drill/Drilling system

Water mist flushing external water and air supply
---

### Shank adapters

	T1843 Optional	T1837 Optional	T1831 Optional
Total length	5873mm	5262mm	4658mm
Drill rod length	4305mm	3700mm	3090mm
Hole depth	400mm	3400mm	2800mm
Weight, incl. drill	640kg	610kg	570kg
Feed force	7kN-15kN	7kN-15kN	7kN-15kN
Single layer feed			

### Carrier

Automatic fire extinguishing system	Manual/Automatic Start
-------------------------------------	------------------------

### Hydraulic system

Electrical oil filling pump
-----------------------------

# Face Drill Rig WD582