



ROCK BOLTING RIG MT571

Electro-proportional controlled rock bolting rig for medium sized underground mining operations, with maximum coverage area 36m²

With quality as the foundation and innovation as the driving force, Uniroc creates greater value for you.

 unirocgroup.com

 tunnel@unirocgroup.com



Youtube

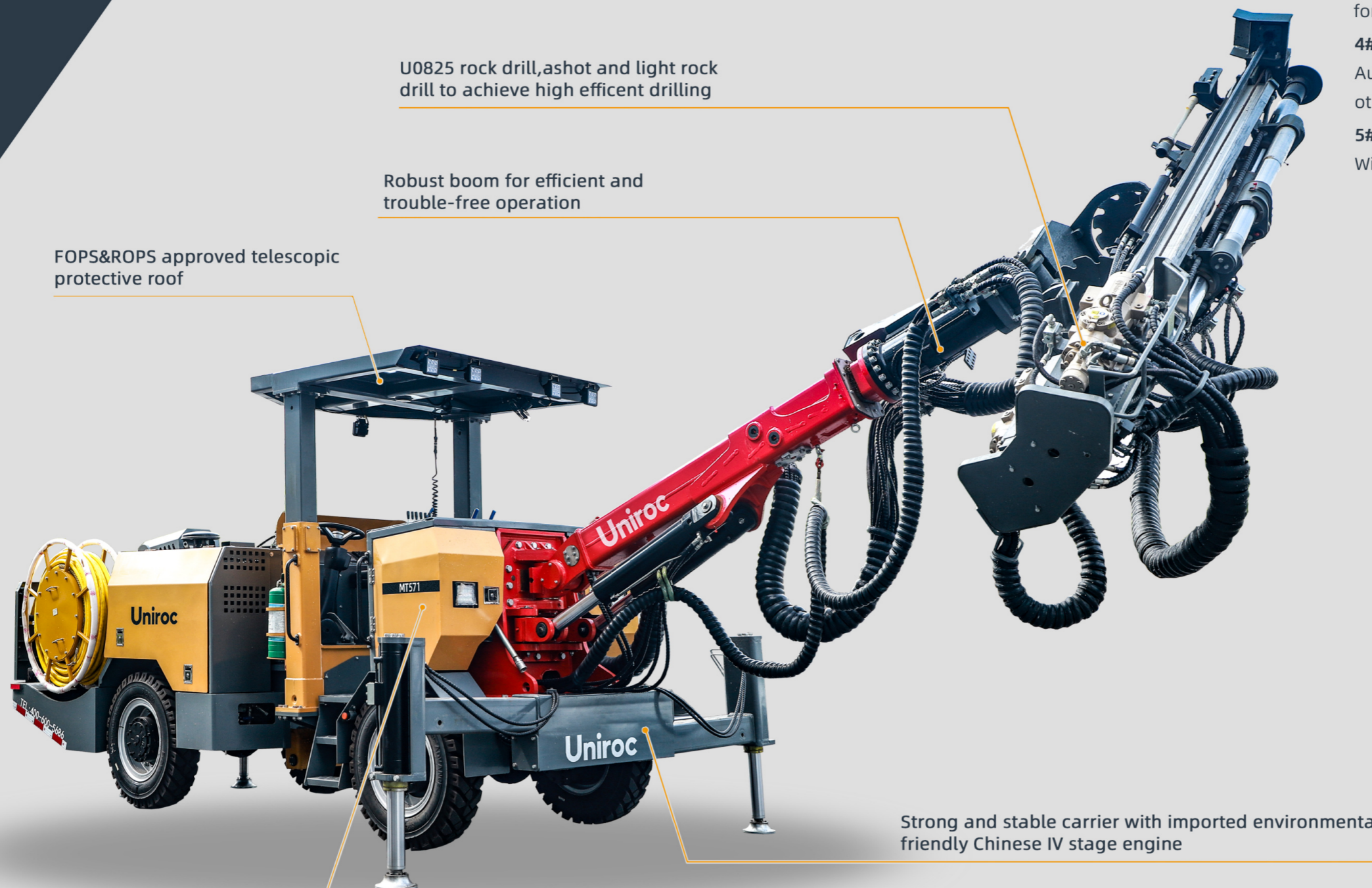


Facebook

Redefine Rock Drilling Excellence

🔄 Main features:

- 1# Remote control electric proportional operating system, simple operation, easy to learn and understand, safe and reliable, accurate positioning;
- 2# Universal modular chassis design, easy for equipment maintenance and management;
- 3# Equipped with dual functions of resin and pipe seam anchor construction, one machine can be used for two purposes;
- 4# Automatic drilling, automatic card braze release and other functions, improve the life of drilling tools;
- 5# With fault self-diagnosis and safety voice alarm system.



U0825 rock drill,ashot and light rock drill to achieve high efficient drilling

Robust boom for efficient and trouble-free operation

FOPS&ROPS approved telescopic protective roof

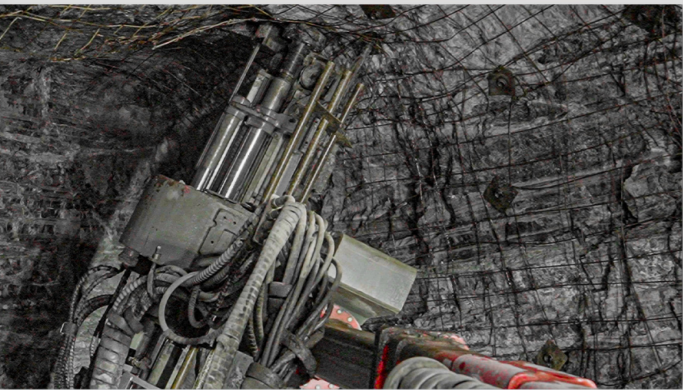
Strong and stable carrier with imported environmental friendly Chinese IV stage engine

Self-diagnostic and voice alarm system

Rock Bolting Rig MT571

A Partner Worthy Of Your Trust

MBU Anchor Installation Unit



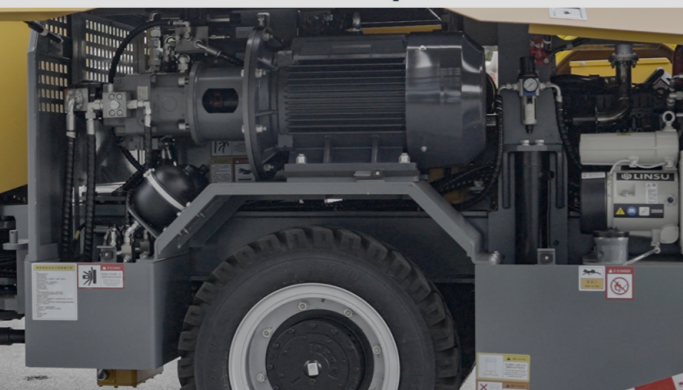
The MBU Anchor Installation Unit is a fully mechanized anchor handling unit with high productivity and a carousel that can be loaded with up to 10 bolts and can handle anchor lengths in the range of 1.5 to 2.4 meters.

Remote control operation



Remote control electric proportional hydraulic intelligent control system, no blind spots in the field of vision during operation, personnel stay away from dangerous places, safe and reliable; Visual adjustment of operation parameters, which can be pre designed to flexibly respond to different working conditions.

Electrical components



The electrical components have been screened by a number of severe environmental tests, and the system has excellent environmental adaptability and can operate continuously and stably in the harsh and complex tunnel environment of high temperature and high humidity.

Professional service offering

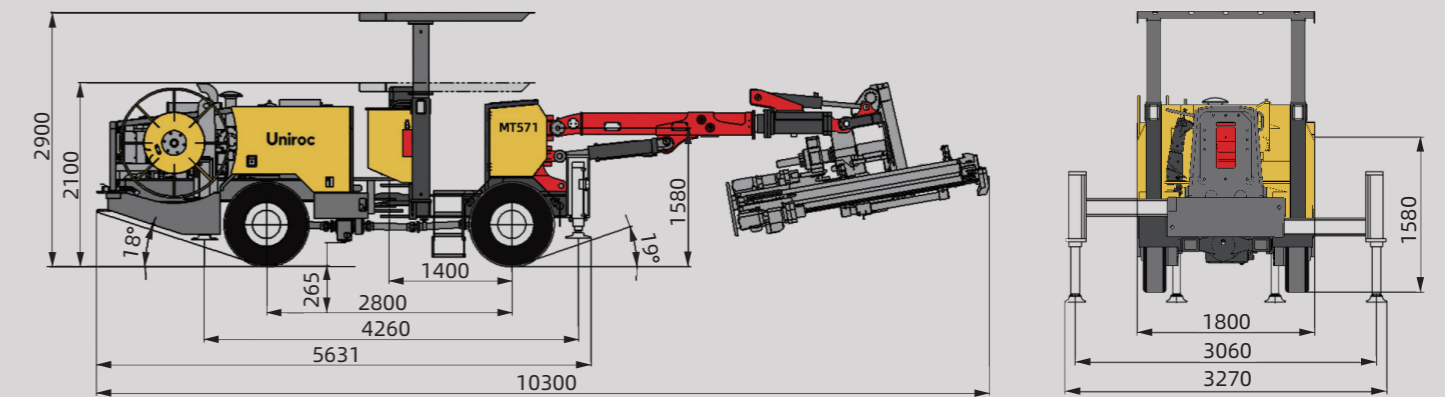


Uniroc's service solutions ensure that your equipment performs at its best throughout its life cycle.

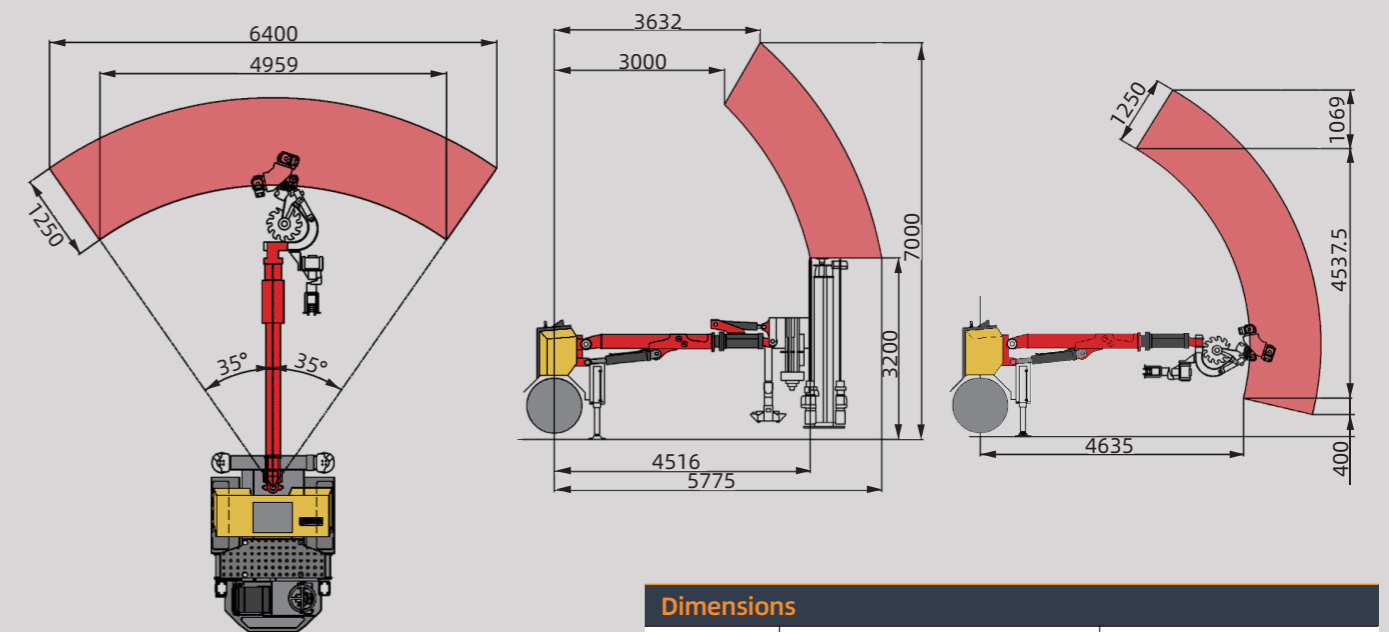
By combining genuine parts and Uniroc services from our certified technicians, we provide the highest quality technical support to ensure that your equipment continues to run efficiently and safely.

Measurements

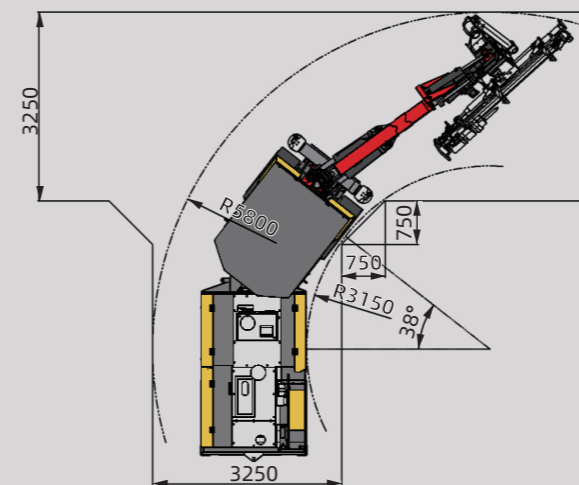
Side View



Coverage Area



Turning Radius



Dimensions		
mm	Width	1800
	Height roof up/down	2900
	Length with MBU 18 feed	10300
	Ground clearance	255
	Turning radius, outer	5800
	Turning radius, inner	3150

Weight		
Gross weight, depending on configuration		
kg	Total	13800
	Boom side	6500
	Engine side	7300

Tramming speed		
km/h	Width	1800
	Height roof up/down	2900

Rock Bolting Rig MT571

Technical Specifications

Rock drill/drill system	
Uniroc U0825	
Shank adapter	R32
Height over drill centre	108mm
Lenght	777mm
Impact power,max	8kW
Impact rate	60Hz
Rotation system	separate rotation
Rotation torque,max	400Nm
Lub.air consumption at 2 bar	5L/s
Weight	75kg
Sound level	<128dB(A)
Hole blowing kit	

Hydraulic system	
Hydraulic pumps	1 unit
Pumps unloaded at start	
System pressure,max	230bar
Hydraulic oil tank,volume max	240L
Low oil level indicator including shut down	
Oil temperature gauge on oil tank	
Filtration	10µm
Water-cooled oil cooler	
Mineral hydraulic oil	
Oil filter indicator	

Electrical system	
Total installed power	65kW
Main motor	1×55kW
Voltage	380-660V
Frequency	56Hz
Starting method	star/delta
Transformer	0.3kVA(660V/6kVA)
Cables reel	660/1095mm
Thermal overload protection for electric motors	
Percussion hour meters	
Digital voltmeter/ampereage meter in display	
Phase sequence indicator	
Battery charger	

Bolting unit	
Magazine capacity	10bolts
Max.size of face plates,rectangular	150×150mm
Max.size of face plates,round	Ø180mm
Bolt length	1.5-2.4m
Adapted for all commonly used bolt types on the market,see options	
Drill steel and coupling according to MBU,delivered with rig	
Chain feed adapted according to bolt length	

Carrier	
Power rating at 2200 rpm	66kW (90 hp)
Torque at 2200 rpm	360Nm
Articulated steering	38° steering angle
Rear axle	±7° oscillation
Tyres	8.25-20
Hydraulic jacks, front	2 extendable
Hydraulic jacks, rear	2
Service brakes	2 separate circuits
Emergency and parking brakes	Spring brake
Fuel tank, volume	85L
Electric system	24V
Batteries	2×12V, 120Ah
Driving lights	LED 2×100W & 2×30W 24V DC
Work lights	LED 6×30W, 24V DC
Gradeability at max load on drive wheels	15°
Water-cooled diesel engine, Chinese Stage IV	
Fixed seat for tramming	
Four-wheel drive	
Hydrostatic transmission	
Automatic differential	
Silencer	
Fier extinguisher	
Spirit level	
Horn, beacon and reverse alarm	

Air system	
Capacity,max at 7 bar	6.8L/s
Air pressure gauge	

Water system	
Water booster pump working capacity, L/min	25-80
Water booster pump working pressure, bar	8-12
Min. water inet pressure, bar	2
Water flow guard	

Boom	
Feed extension	480mm
Boom extension	1250mm
Feed roll-over	360°
Max.lifting angle	+65°/-30°
Max.swinging angle	±35°
Weight,boom only	2870kg

Optional equipment

Bolting unit/Boom	
Split-Set,SS39,SS46,including rock drill	
Rebar-manual resin cartridge,including boltrotator	
Hose injection system for resin car tridges	
Extension drilling kit	

Recommended drill steel length		
Maximum bolt leength,mm	Drill steel length,mm	Total length,mm
	Uniroc U0825	
1510	1830-1885	2800
1870	2175-2230	3000
2050	2375-2430	3200
2250	2575-2630	3400
2470	2725-2770	3600

Rock Bolting Rig MT571